

GR265 / 325 Roller Catch

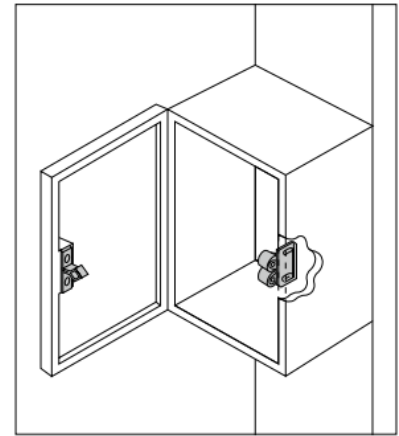
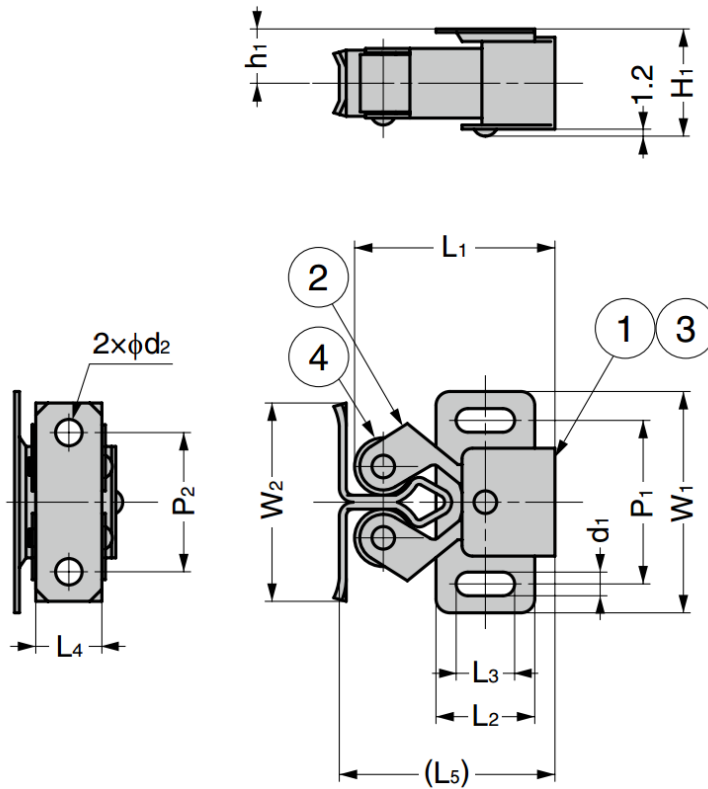
Features

- Polyethylene roller, easy to insert and remove
- Counter plate included

Notes

- Push-in and pulling force may vary depending on application environment

No.	Part Name	Material	Finish/Colour
①	Body	Stainless Steel (SUS430)	Plain
②	Arm		
③	Spring		
④	Roller	PE	Natural



Part No.	Push-In Force		Pulling Force	
GR265-SUS	12.7 N	1.3 kg	23.5 N	2.4 kg
GR325-SUS	9.8 N	1.0 kg	30.4 N	3.1 kg

Part No.	L ₁	L ₂	L ₃	L ₄	L ₅	W ₁	W ₂	H ₁	h ₁	P ₁	P ₂	d ₁	d ₂
GR265-SUS	23	12	8	7.2	24	26.9	24.5	13.5	7	19.7	18	3	2.8
GR325-SUS	29	14	8.5	9.5	31	31.8	28.5	15.5	7.8	23.5	20	3.5	3.8